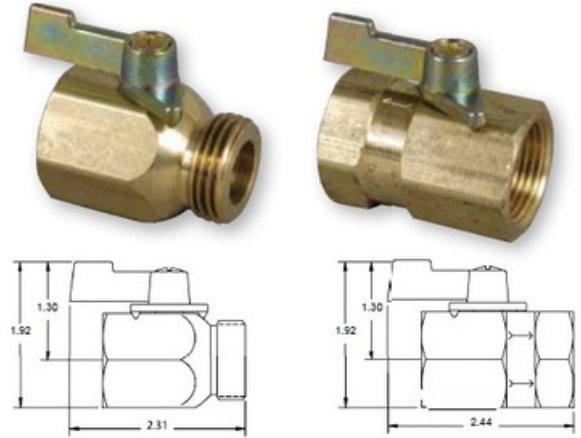


075 Series Ball Valve

Design Considerations

The 075 Series One-Way Ball Valve compact design has a one piece body construction to cover 3/4" NPT and Garden Hose Thread end configuration applications. The 075 Ball Valve Series is rated to 125 psi and will support flow and pressure only in the flow direction. The Zinc Die Cast Lever Handle is standard. Handles can be ordered reversed - to lie over the outlet when the valve is in the open position.



Specifications:

Maximum Operating Pressure- 125 psi

Maximum Operating Temperature- 180°F

Ball Through Hole Diameter- .625



Configure
your exact valve



Material Options

Brass Body, Nickel Plated Brass Ball Segment, Teflon® Seat, Brass Handle Screw

Seal Options

Buna-N, Fluoroelastomer (Viton®)

Body Options

3/4 Female Garden Hose x 3/4 Male Garden Hose
3/4 Female NPT x 3/4 Male Garden Hose
3/4 Female NPT x 3/4 Female NPT
3/4 Female Garden Hose x 3/4 Male Garden Hose x 3/8 FNPT

Handle Options

Zinc Die Cast Lever (Standard)

Plating Options

No Plating (Standard), Nickel

Example of how to order:

Body Material	Seal	Handle	Plating
3/4 Female Garden Hose x 3/4 Male Garden Hose	Buna-N	Reversed	ENP

Part Number 075-12FGH12MGH,RH,ENP

The handle will lie over the Inlet port when the valve is in the open position. Part numbers are a description of the valve as read left to right, Inlet to Outlet.

Example: 075-12FGH12MGH,RH,ENP = 3/4 Female Hose Inlet x 3/4 Male Hose Outlet